

Removable Core System

Drawer Locks



Furniture Locks



Push Knobs

Lock Accessories

Cylinder Cores and Keys



Features

- ▶▶ Removable core system
- ▶▶ 1 core for all types of locks
- ▶▶ Complete with 1 core and 2 keys

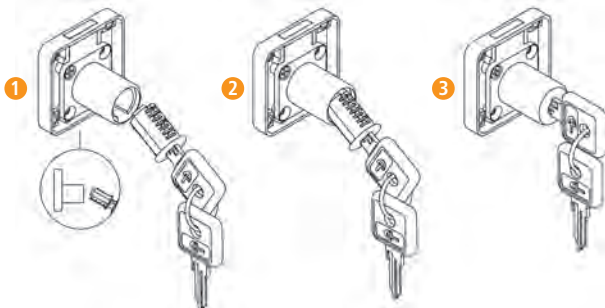
- ▶▶ Box Quantity = 50

M1 core plus 2 keys:	Finishes		
	Black	Brass	Nickel
Mixed Numbers	31211 58 139	31211 57 108	31211 52 077
Number 0001	31211 58 140	31211 57 109	31211 52 078
Number 0002	31211 58 141	31211 57 110	31211 52 079
Number 0003	31211 58 142	31211 57 111	31211 52 080
Number 0004	31211 58 143	31211 57 112	31211 52 081
Number 0005	31211 58 144	31211 57 113	31211 52 082
Number 0006	31211 58 145	31211 57 114	31211 52 083
Number 0007	31211 58 146	31211 57 115	31211 52 084
Number 0008	31211 58 147	31211 57 116	31211 52 085
Number 0009	31211 58 148	31211 57 117	31211 52 086
Number 0010	31211 58 149	31211 57 118	31211 52 087
Number 0011	31211 58 150	31211 57 119	31211 52 088
Number 0012	31211 58 151	31211 57 120	31211 52 089
Number 0013	31211 58 152	31211 57 121	31211 52 090
Number 0014	31211 58 153	31211 57 122	31211 52 091
Number 0015	31211 58 154	31211 57 123	31211 52 092
Number 0016	31211 58 155	31211 57 124	31211 52 093
Number 0017	31211 58 156	31211 57 125	31211 52 094

M1 core plus 2 keys:	Finishes		
	Black	Brass	Nickel
Number 0018	31211 58 157	31211 57 126	31211 52 095
Number 0019	31211 58 158	31211 57 127	31211 52 096
Number 0020	31211 58 159	31211 57 128	31211 52 097
Number 0021	31211 58 160	31211 57 129	31211 52 098
Number 0022	31211 58 161	31211 57 130	31211 52 099
Number 0023	31211 58 162	31211 57 131	31211 52 100
Number 0024	31211 58 163	31211 57 132	31211 52 101
Number 0025	31211 58 164	31211 57 133	31211 52 102
Number 0026	31211 58 165	31211 57 134	31211 52 103
Number 0027	31211 58 166	31211 57 135	31211 52 104
Number 0028	31211 58 167	31211 57 136	31211 52 105
Number 0029	31211 58 168	31211 57 137	31211 52 106
Number 0030	31211 58 169	31211 57 138	31211 52 107

Special keys		
Item-Number		Color
31411 13 242	M1 master key	Blue
31511 25 781	M1 core removal key	Red

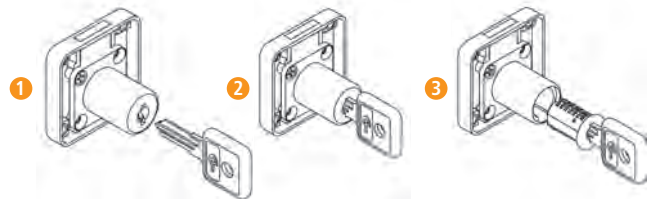
Insertion of cylinder core (lock must be in open position)



▶▶ 1 & 2 Install cylinder core with key inserted into the cylinder housing. Be sure to align the two diamond shaped objects on both the cylinder core and the cylinder housing.

▶▶ 3 Apply light pressure until cylinder core snaps into place.

Removal of cylinder core (lock must be in open position)



▶▶ 1 & 2 Insert removal key into cylinder core.

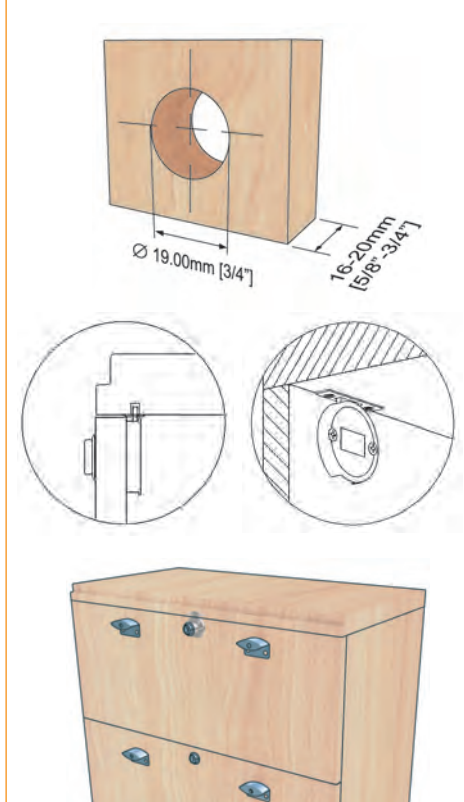
▶▶ 3 Remove cylinder core with removal key from cylinder housing.

Features

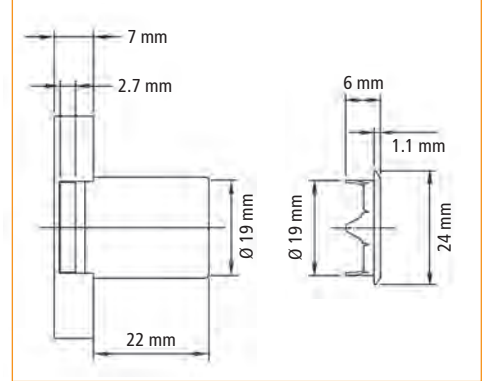
- ▶ 3/4" (19 mm) diameter
 - ▶ 7/8" (22 mm) barrel length
 - ▶ Click action mechanism
 - ▶ Key removable in locked and unlocked positions
 - ▶ Zink alloy die cast
 - ▶ Core with keys sold separately (see page 2)
- ▶ Box Quantity = 25

Set includes	Item-Number	Finish
1 Lock housing	30131 58 011	Black
1 Bezel	30131 57 010	Brass
1 Strike plate	30131 52 008	Nickel

Drill Hole and application



Dimensions

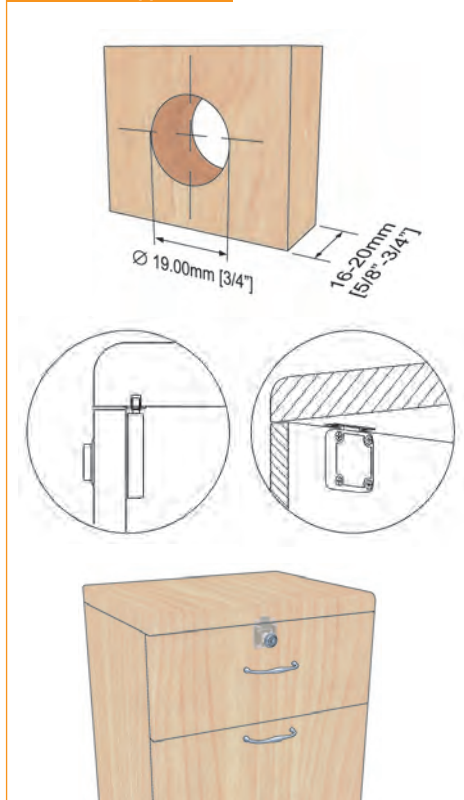


Features

- ▶ 3/4" (19 mm) diameter
 - ▶ 7/8" (22 mm) barrel length
 - ▶ Click action mechanism
 - ▶ Key removable in locked and unlocked positions
 - ▶ Zink alloy die cast
 - ▶ Core with keys sold separately (see page 2)
- ▶ Box Quantity = 25

Set includes	Item-Number	Finish
1 Lock housing	30231 58 018	Black
1 Bezel	30231 57 016	Brass
1 Strike plate	30231 52 012	Nickel

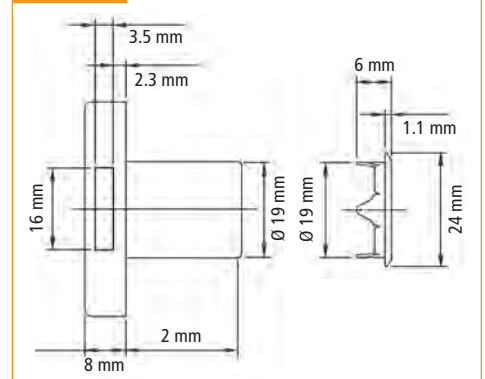
Drill hole and application



Single Bolt Drawer Lock



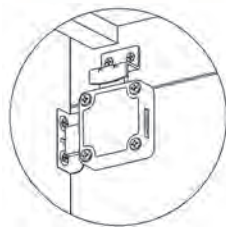
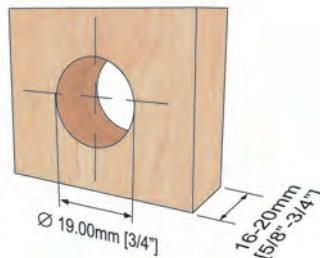
Dimensions



Double Bolt Drawer Lock



Drill hole and application

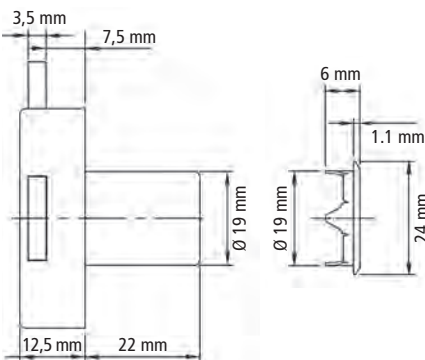


Features

- ▶▶ 3/4" (19 mm) diameter
- ▶▶ 7/8" (22 mm) barrel length
- ▶▶ Two-way lock (right)
- ▶▶ Suitable for two-drawer cabinet (no aluminum bar needed)
- ▶▶ Suitable for swing door cabinet (no locking bolt needed)
- ▶▶ Click action mechanism
- ▶▶ Key removable in locked and unlocked positions
- ▶▶ Zink alloy die cast
- ▶▶ Core with keys sold separately (see page 2)

- ▶▶ Box Quantity = 25

Dimensions

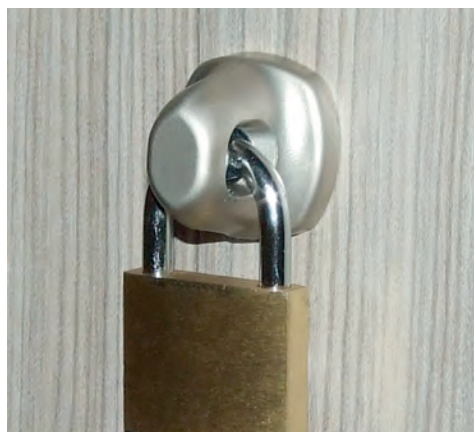


Set includes

- 1 Lock housing
- 1 Bezel
- 1 L-bracket
- 1 Strike plate

Item-Number	Finish
30231 58 019	Black
30231 57 017	Brass
30231 52 014	Nickel

Rotor Hasp Lock



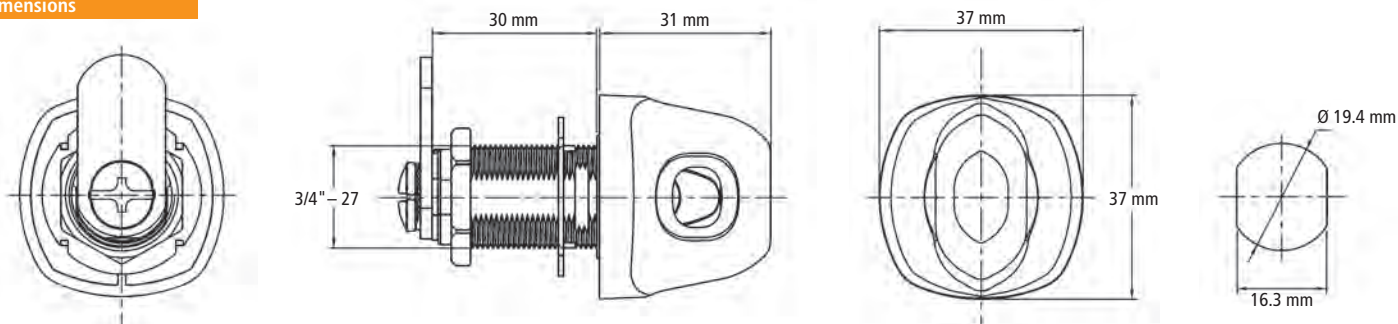
Set includes



Features

- ▶▶ For wooden cabinets, panel thickness up to 22 mm (diameter of drill hole \varnothing 19 mm)
- ▶▶ Lock with straight cam (central locking available upon request)
- ▶▶ For padlocks with a shackle diameter from 4 mm to 8 mm
- ▶▶ To be used left and right hand
- ▶▶ By leading in the shackle of padlock the locking mechanism is suspended
- ▶▶ Finish: matte black or satin nickel

Dimensions



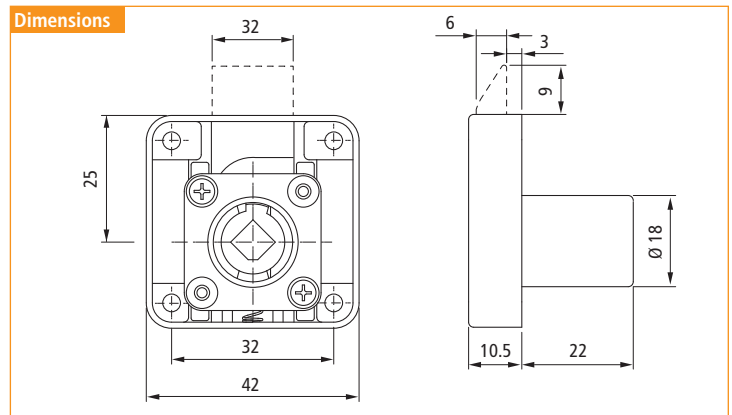
Features

- ▶ Automatically locks drawer when closed
- ▶ Anti-pick bracket ensures maximum security
- ▶ Click action mechanism
- ▶ Dim.D = 25mm for screw mounting
- ▶ 3/4" (19mm) diameter hole
- ▶ 7/8" (22mm) barrel length
- ▶ Zinc alloy die cast
- ▶ Core with keys sold separately (see page 2)

▶ Box Quantity = 25



Set includes	Item-Number	Finish
1 Lock housing	S/O	Black
1 Anti-pick bracket (strike)	S/O	Brass
1 Bezel	30231 52 015	Nickel



Preparing for installation

1. Hold down the latch, insert the cylinder (with key inserted) into housing. Be sure to align the two diamond shaped objects on both the cylinder core and the cylinder housing.
2. Continue to hold down the latch while turning the key 180 degrees to the right (clockwise)
3. Release the latch, and the lock is now ready to use

Removal of cylinder

1. Insert key
2. Hold down the latch
3. Continue holding down the latch while turning the key to the left 180 degrees (counter-clockwise)
4. The latch is now in the down position, pull key straight out
5. Cylinder is ready to be removed by a removal key (Red Key, sold separately), insert removal key and pull out cylinder
6. Cylinder is removed

Drill Hole and application

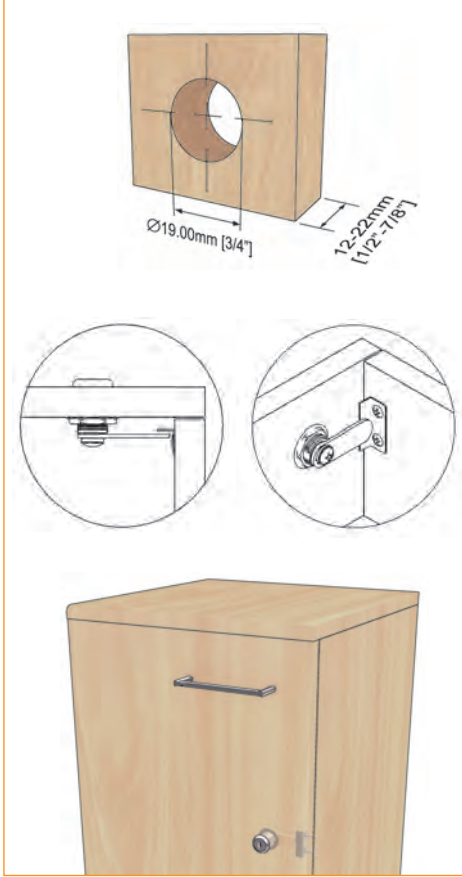
Drill Hole
 Ø 19 mm for 18 mm Housing-Dia. Ø
 Ø 17.5 mm for 16.5 mm Housing-Dia. Ø

Wood Thickness
 5/8 - 13/16"
 16 - 20 mm

Cam Lock



Drill Hole and application



Features

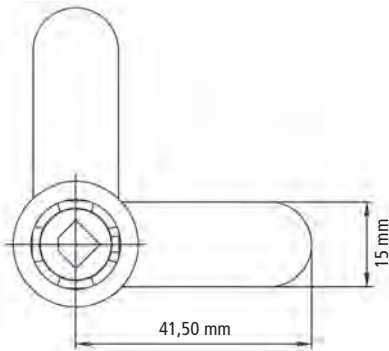
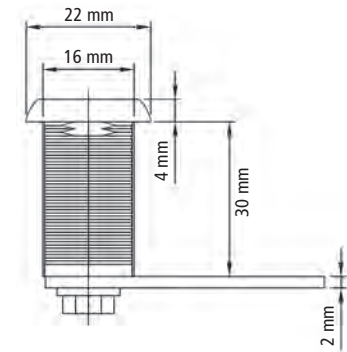
- ▶▶ 90° cam rotation
- ▶▶ 30 mm cylinder housing (also available by special order: 11 mm, 16 mm, 20 mm, 25 mm, 36.5 mm and 44.5 mm. 11 mm and 16 mm are not core-removable)
- ▶▶ Key removable in locked and unlocked positions
- ▶▶ Zinc alloy die cast
- ▶▶ Core with keys sold separately (see page 2)
- ▶▶ Box quantity = 25

Set includes

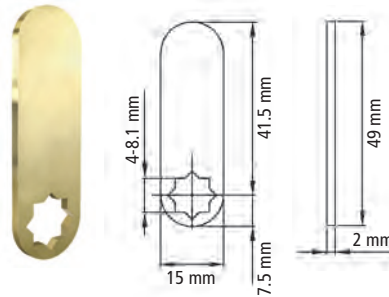
- 1 Lock housing
- 2 Cams (straight/offset)
- 1 Mounting screw
- 1 Washer
- 1 Steel nut

Item-Number	Finish
30111 58 003	Black
30111 57 002	Brass
30111 52 000	Nickel

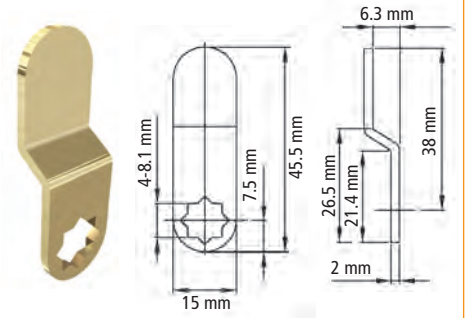
Lock dimensions



Straight cam dimensions



Offset cam dimensions



Features

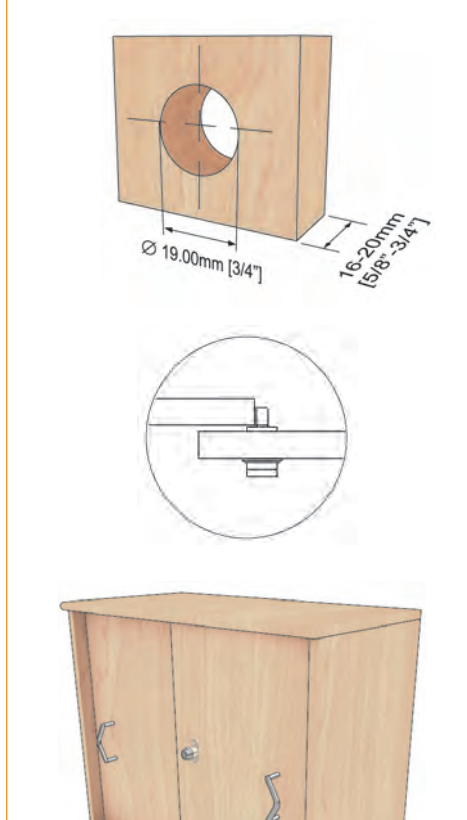
- ▶ Push-in locking, no key required when locking
- ▶ Key removable in locked and unlocked positions
- ▶ M5 internal thread locking pin
- ▶ Zinc alloy die cast
- ▶ Pin extendable with optional extension pin (adds 5 mm)
- ▶ Core with keys sold separately (see page 2)

- ▶ Box Quantity = 25

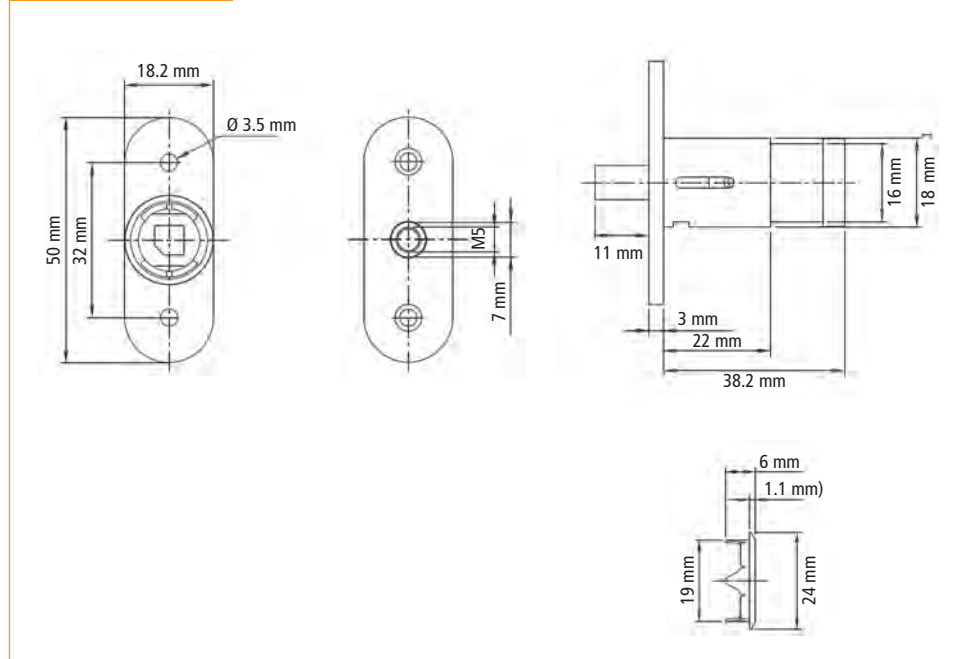
Set includes	Item-Number	Finish
1 Lock housing	30121 58 007	Black
1 Lock housing	30121 57 006	Brass
1 Bezel	30121 52 005	Nickel

Optional available	Item-Number	
	33221 00 007	Extension pin

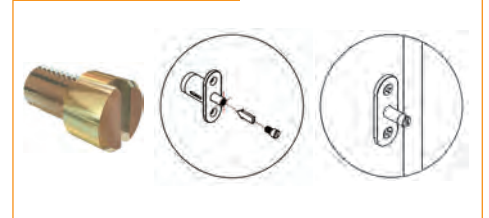
Drill hole and application



Dimensions



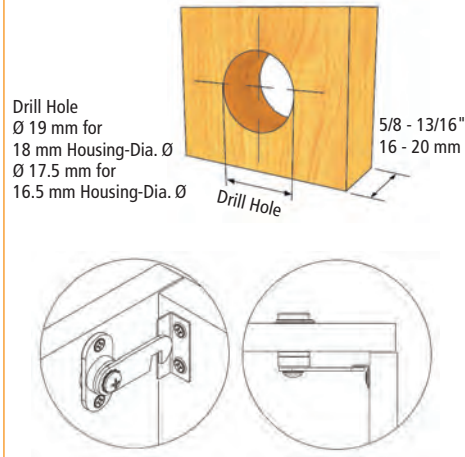
Extension pin



Extended Lever Lock



Drill hole and application



Features

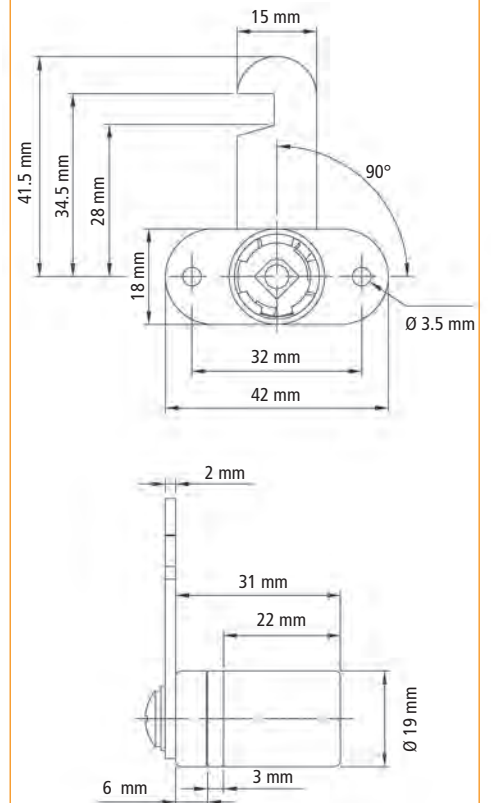
- ▶▶ 90° cam rotation
- ▶▶ 31 mm cylinder housing
- ▶▶ Zinc alloy die cast
- ▶▶ Core with keys sold separately (see page 2)
- ▶▶ Box Quantity = 25

Set includes

1 Lock housing
1 Notched Cam
2 Mounting screws
1 Washer

Item-Number	Finish
S/O	Black
S/O	Brass
30111 52 021	Nickel

Lock dimensions



S/O – Special Order only – call for current pricing, minimum order quantities, and lead-time.

Features

- ▶ Front mounted
- ▶ 3/4" (19 mm) diameter
- ▶ Key removable in locked and unlocked positions
- ▶ With aluminum bar 23-5/8" (600 mm)
49-7/32" (1250 mm) bar available upon request
- ▶ Zink alloy die cast
- ▶ Finish: Nickel
- ▶ Cylinder core and keys included

- ▶ Box Quantity = 50



180° ROTARY LIFTING PIN MOVEMENT !

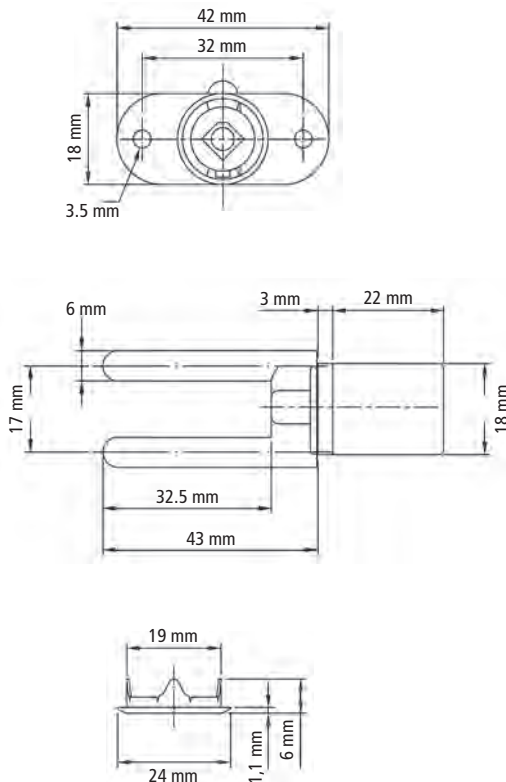
Set includes

- 1 Lock housing
- 1 Bezel
- 3 Set screws and bolts
- 2 Bar guides
- 1 Aluminum bar 23-5/8" (600 mm)
- Cylinder core and keys
- 3 Drawer locking brackets

Item-Number	
32141 52 033	Front Mount Gang Lock

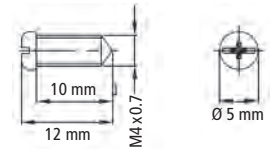
Optional available	
Item-Number	
33241 00 030	Locking bolt extension

Lock dimensions



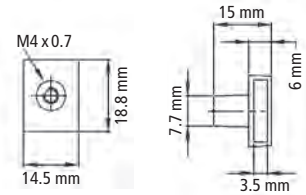
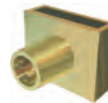
Screw

3 included



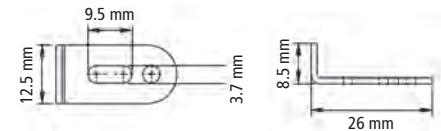
Locking bolt

3 included



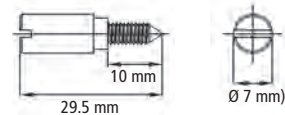
Drawer locking bracket

3 included



Locking bolt extension

Optional



Side Mount Gang Lock



180° ROTARY LIFTING PIN MOVEMENT !

Features

- ▶▶ Side mounted
- ▶▶ 3/4" (19 mm) diameter
- ▶▶ Key removable in locked and unlocked positions
- ▶▶ With aluminum bar 23-5/8" (600 mm) 49-7/32" (1250 mm) bar available upon request
- ▶▶ Zinc alloy die cast
- ▶▶ Finish: Nickel
- ▶▶ Cylinder core and keys included

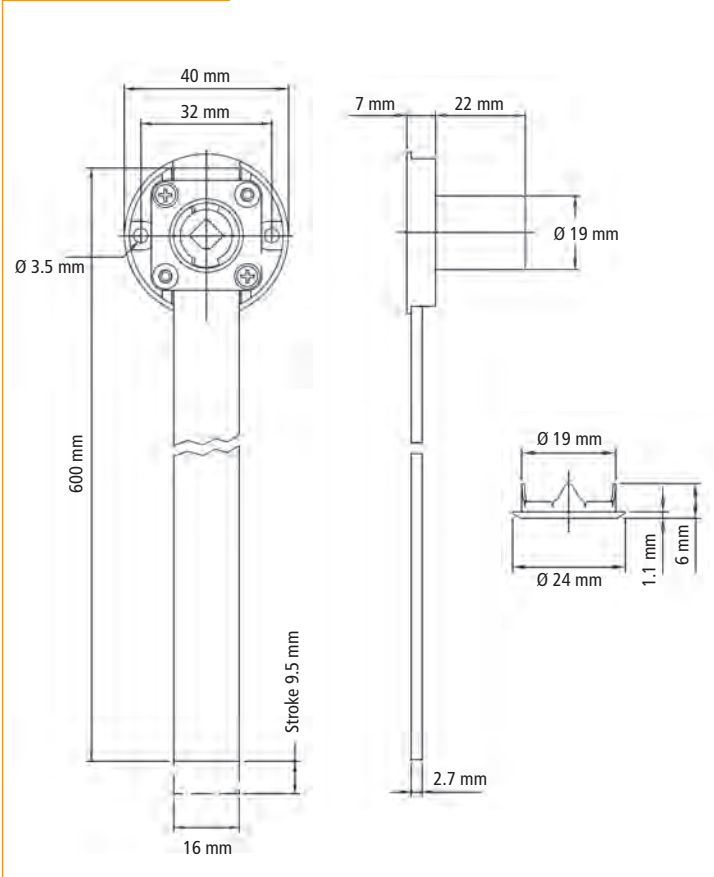
- ▶▶ Box Quantity = 50

Set includes	
1	Lock housing
1	Bezel
3	Set screws and bolts
2	Bar guides
1	Aluminum bar 23-5/8" (600 mm)
	Cylinder core and keys
3	Drawer locking brackets

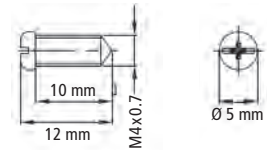
Item-Number	
32141 52 003	Side Mount Gang Lock

Optional available	
Item-Number	
33241 00 030	Locking bolt extension

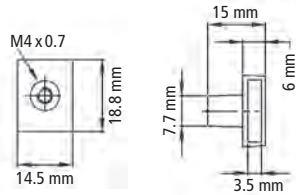
Lock dimensions



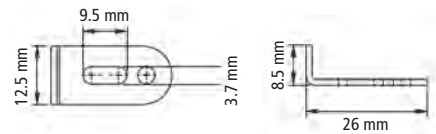
Screw



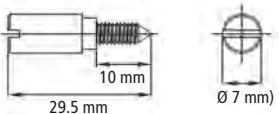
Locking bolt



Drawer locking bracket



Locking bolt extension



West: toll free (800) 821-4007 · fax (714) 751-2366 · sales@usfutaba.com

Features

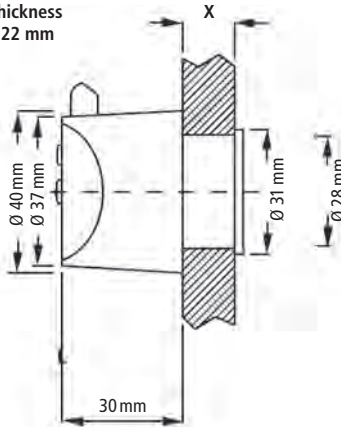
- ▶ Push knob with door catch function for door thickness from 13 to 35mm
- ▶ Includes housing and strike plate
- ▶ Push knob lock in zamac
- ▶ Finish: chrome polished or stainless steel
- ▶ Housing and strike plate in black plastic
- ▶ Push knob available in polished chrome or satin nickel finishes

Package contains:

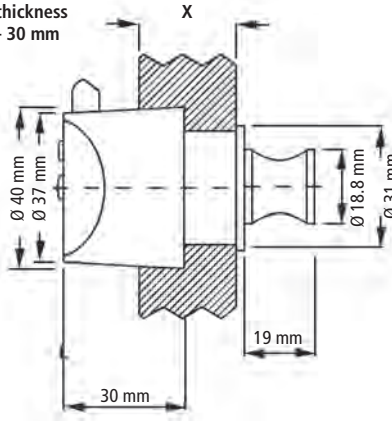


Mounting dimensions

Door thickness
X 10 – 22 mm

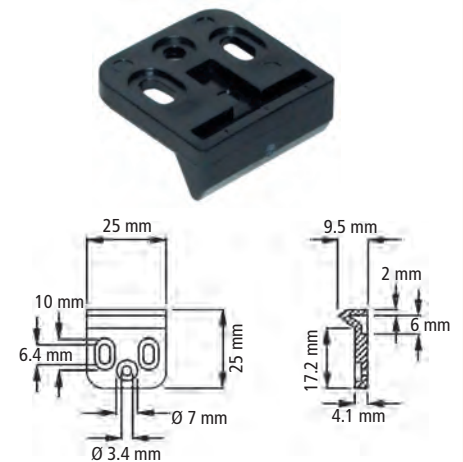


Door thickness
X 23 – 30 mm



▶ **Mounting instructions:** Adjusting the lock to the thickness of the door the push knob is inserted into the plastic housing and fixed from rear by screw. For door thickness of 23 mm and higher a counter bore of Ø 40 mm is required to inlay the housing (Depth of drilling = Door thickness - 22 mm)

Strike plate dimensions



Features

- ▶ Includes core and keys
- ▶ Push knob lock with removable cylinder core for door thickness from 13 to 35mm
- ▶ Includes housing and strike plate
- ▶ Push knob lock in zamac
- ▶ Finish: chrome polished or stainless steel
- ▶ Housing and strike plate in black plastic
- ▶ Push knob lock available in polished chrome or satin nickel finishes

Package contains:



Locking Moby Push Knob



Mini Moby Push Knob



Package contains:

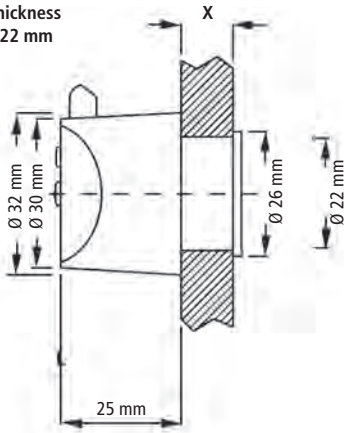


Features

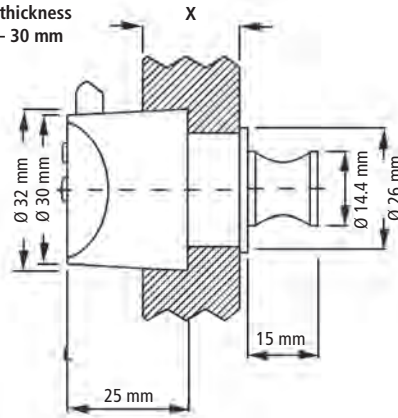
- ▶ Push knob with door catch function for door thickness from 10 to 30 mm
- ▶ Housing and strike plate in ABS black plastic
- ▶ Push knob available in polished chrome or satin nickel finishes

Mounting dimensions

Door thickness
X 10 – 22 mm

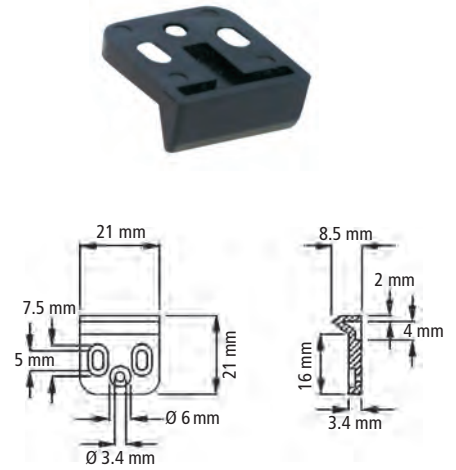


Door thickness
X 23 – 30 mm



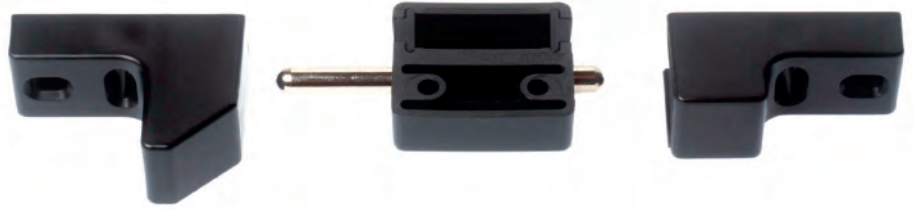
- ▶ **Mounting instructions:** Adjusting the lock to the thickness of the door the push knob is inserted into the plastic housing and fixed from rear by screw. For door thickness of 23 mm and higher a counter bore of 32 mm is required to inlay the housing (Depth of drilling = Door thickness - 22 mm)

Strike plate dimensions



Features

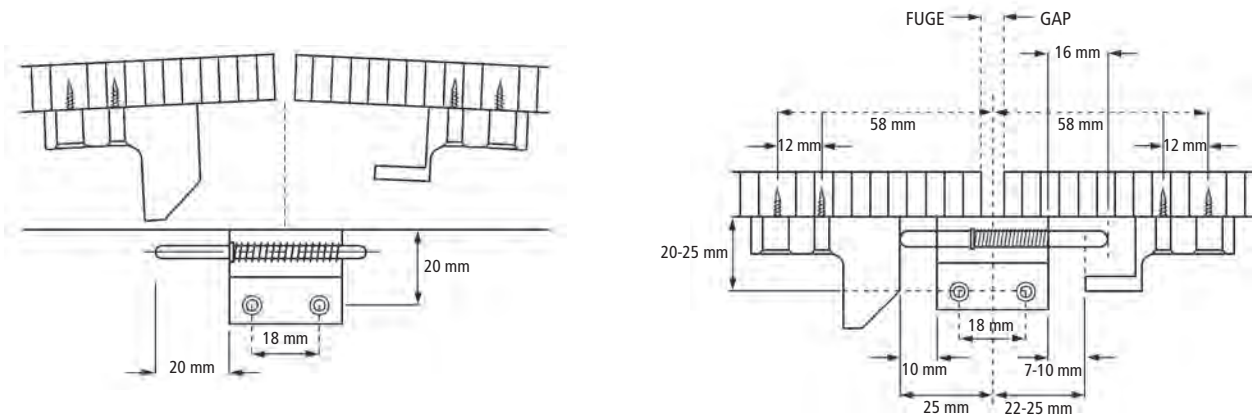
- ▶ Automatic door bolt for locking double doors
- ▶ Complete with locking and catch plate
- ▶ Interchangeable for left and right installation
- ▶ Material: ABS-plastic
- ▶ Color: black
- ▶ Mounting screws not included
- ▶ Requires #4 x 3/4" flat head



Item-Number	Automatic Double Door Bolt
33352 12 003	Left hand
33352 12 002	Right hand

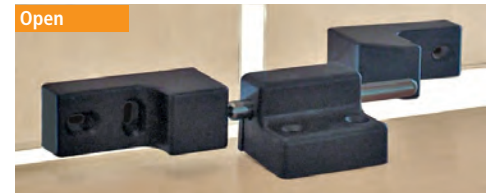
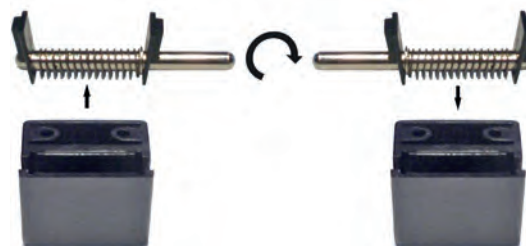


Mounting dimensions



Installation switch

To switch to opposite installation just remove locking pin from housing, turn it 180° and slide in again.



01 Ball Bearing Slides

▶▶ Serving America with the world's best since 1983! ◀◀

02 Drawer Systems

03 Hinges

04 Locks

05 Kitchen Solutions

06 Closet Rod and Accessories

07 Office Line

08 Functional Hardware

09 Flat Panel Solutions

10 Decorative Hardware



▶▶ West

East ◀◀

2901 West Garry Ave.
Santa Ana, CA 92704
Phone (800) 821-4007
Fax (714) 751-2366

525 Byron Street
Chesapeake, VA 23320
Phone (877) 293-0584
Fax (757) 549-9794